

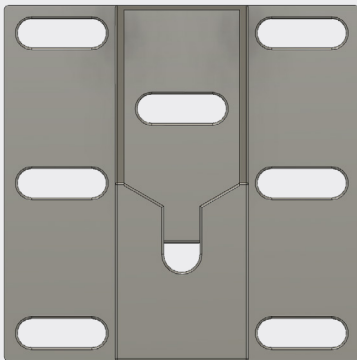
Data Sheet

## Wall mount for Absen PL and AX

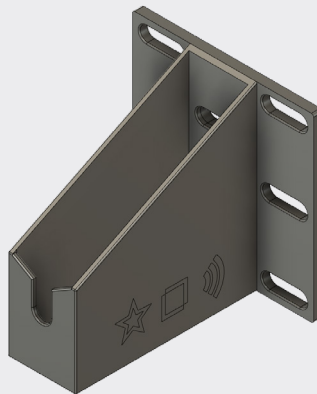
The extremely stable wall mount for Absen Polaris and Aries enables an easy handling as well as a precise fitting and a flexible, gentle installation.

For a particularly uncomplicated positioning, the mount - which is made of stainless steel - has slotted holes. The mounting is done from the front. Furthermore, the bracket ensures a predefined distance and creates a standardized workflow. Furthermore, the bracket ensures a predefined distance and creates a standardized workflow.

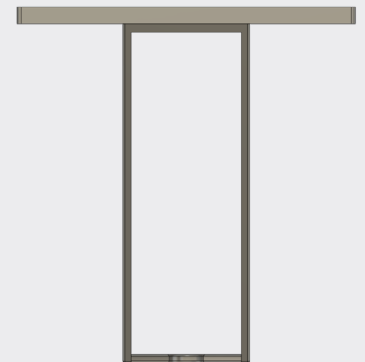
Footprint	80 × 80 mm
Depth	84 mm
Socket for screw heads	M8 (8.1 mm diameter)



Example wall mount for PL/AX - front view



Example wall mount for PL/AX - side view



Example wall mount for PL/AX - top view

- ✓ The NicLen trade show kit
- ✓ Can be rented for all Absen LED walls (with matching drawing)
- ✓ Can be used with machine screws  $\leq$  M8 or the module screws from EXACT solutions GmbH.
- ✓ Intended as an anti-tilt device or to absorb wind loads (Not suitable for hanging mounting of the LED panels!)
- ✓ Please follow NicLen infosheets for use with Absen products

**Questions?**  
Our Sales team is happy to help you!

✉ [vertrieb@niclen.de](mailto:vertrieb@niclen.de)

☎ +49 231 99961 0