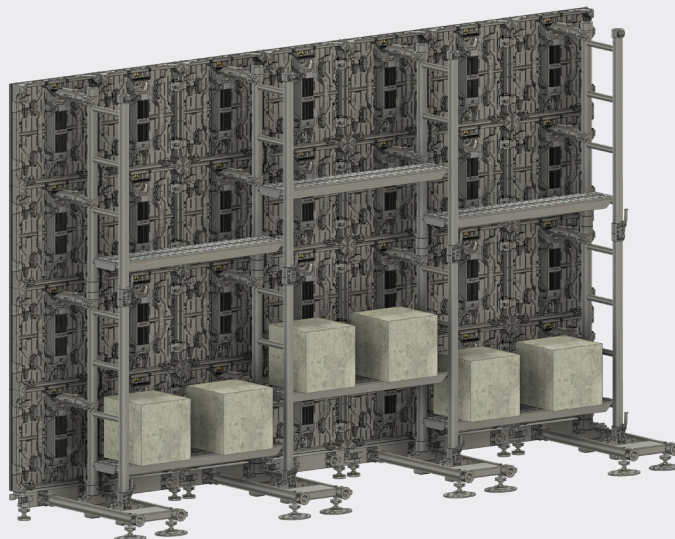


Data sheet

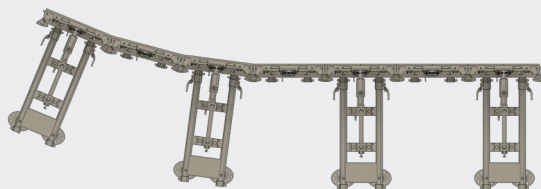
Stacking Material for Absen Polaris LED Video Walls

| | |
|--|---------------|
| The distance between the floor and the first panel | 135 to 195 mm |
| Minimal depth of the screen | 1 m |
| The maximum construction height | 5 m |

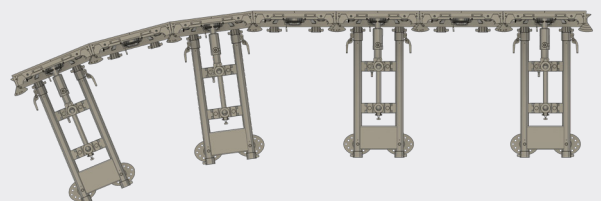
- ❗ Over a construction height of 2.5 m adjustable beams are mandatory.
- ❗ The platforms are intended for the counter weights (see offer/statics) and/or as a working platform for technicians.
- ❗ The static analysis is available (please contact your publitec account manager).



Exemplary Absen Polaris LED Wall 7x4 Panels - Rear View



Concave up to 10°



Convex up to 7.5°

Do you have questions?
Our sales team will be happy to help you!

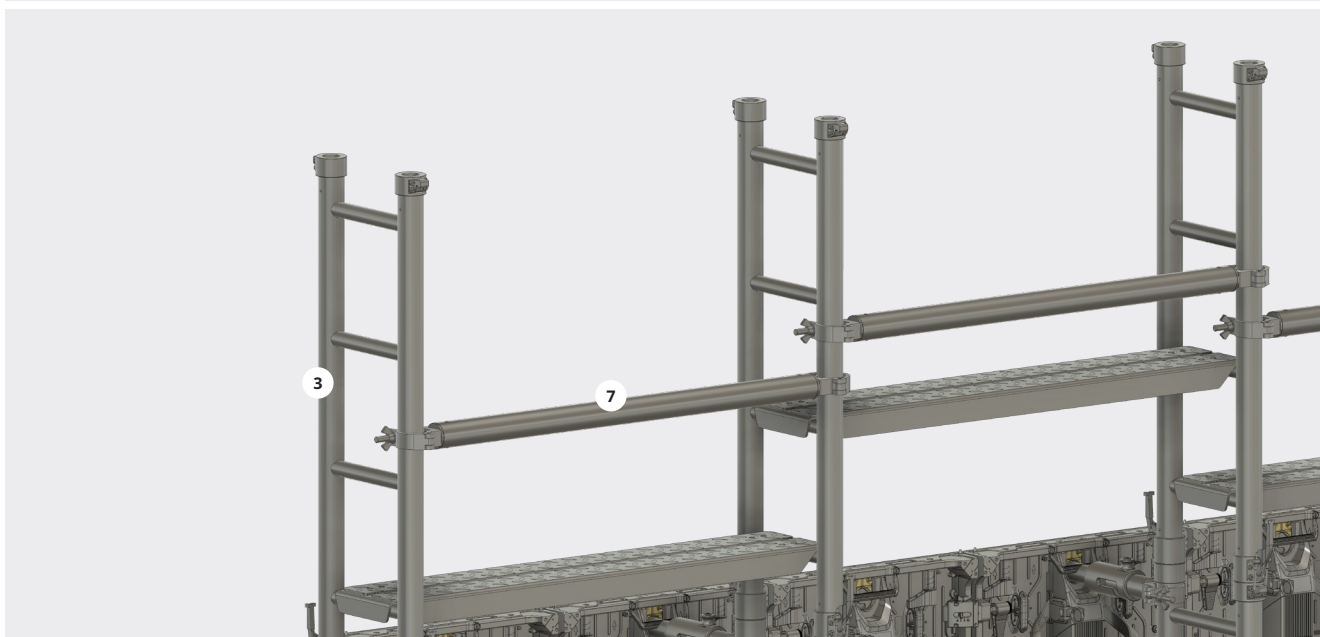
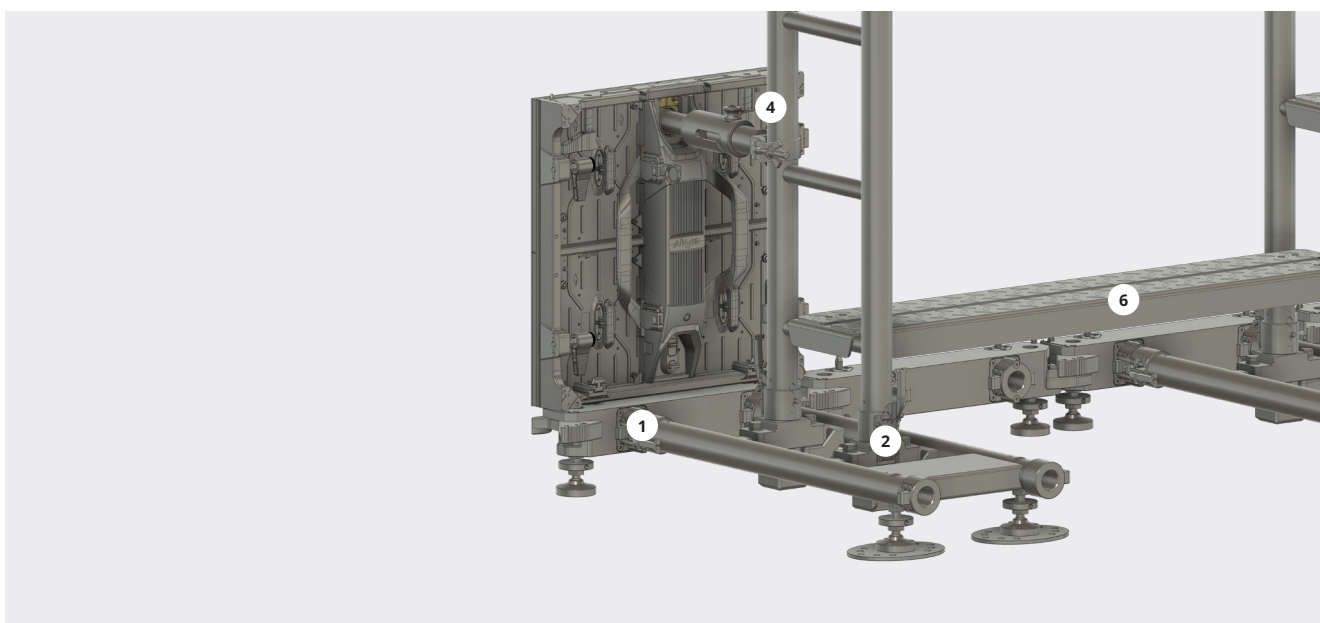
✉ vertrieb@niclen.de

☎ +49 231 99961 0

Data sheet

Stacking Material for Absen Polaris LED Video Walls

- 1 Absen Base Stand 0.5 m
- 2 Absen Outrigger 0.8 m
- 3 Absen Ladder 1 m
- 4 Absen Clamp
- 6 Absen Platform 1 m
- 7 Absen Adjustable Beam 1 m (over 2.5 m height)



Do you have questions?
Our sales team will be happy to help you!

✉ vertrieb@niclen.de

☎ +49 231 99961 0